

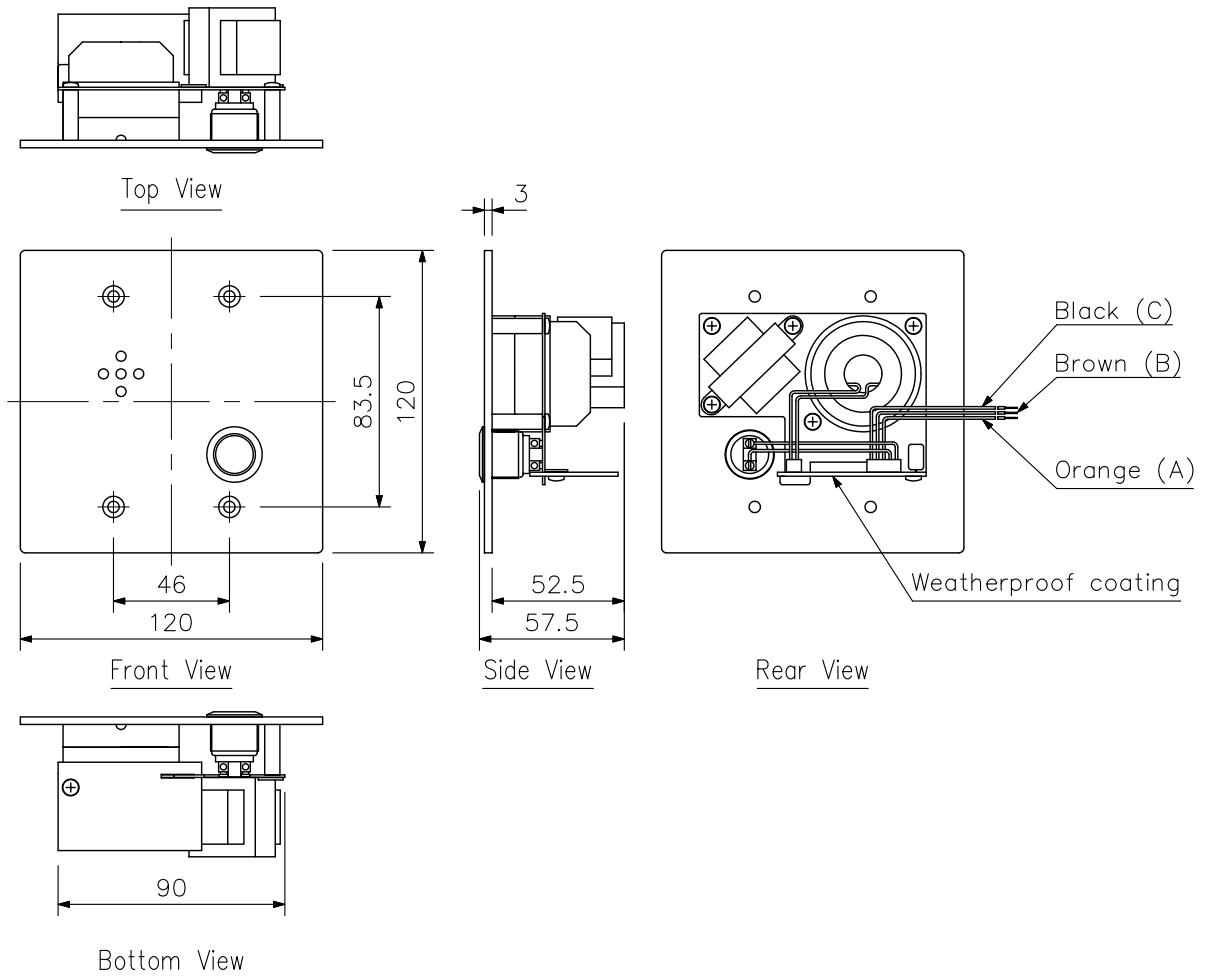
■DESCRIPTION

The RS-170 can call and make converse with the registered master stations.  
It utilizes a 2-core shielded cable.

■SPECIFICATIONS

|                       |   |
|-----------------------|---|
| Rated Input           | 1 W   |
| Rated Impedance       | 625 Ω (1 W/25 V)  |
| Internal Speaker      | 4 cm cone-type  |
| Wiring                | Two-core shielded cable   |
| Transmission Range    | 0.5 km (546 yd)/∅0.5 mm (AWG24)<br>0.8 km (874 yd)/∅0.65 mm (AWG22)<br>1.3 km (1421 yd)/∅0.9 mm (AWG19)   |
| Operating Temperature | -10 °C to +50 °C<br>(Temperature range not to freeze the speaker and switch)  |
| Finish                | Panel: Stainless steel, hairline<br>Call button: Metal<br>Printed circuit board: Weather-resistant coating  |
| Dimensions            | 120 (W) × 120 (H) × 57.5 (D) mm   |
| Weight                | 540 g   |
| Accessory             | Box mounting screw (No.6-32UNC × 8) .....4,<br>Box mounting screw (M4 × 25) .....4  |
| Applicable Box        | For flush-mount: 2-gang electrical box YC-302 (option)<br>For surface-mount: Indoor wall-mount box YC-822 (option),<br>Outdoor wall-mount box YC-823 (option) |

■APPEARANCE



UNIT:mm SCALE:1/3